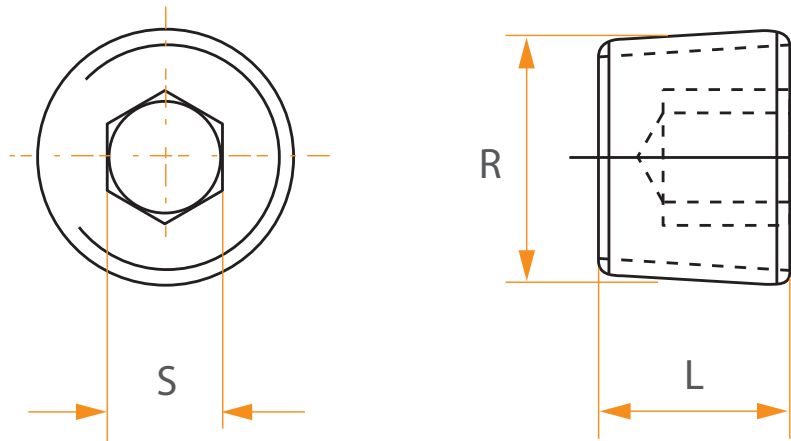


TAPON ROSCA CONICA PREASSURE PLUG

TAP

Material	Latón
Material	Brass
Forma de pedido	Tapón TAP / R
Order form	Pressure Plug TAP / R

TAP



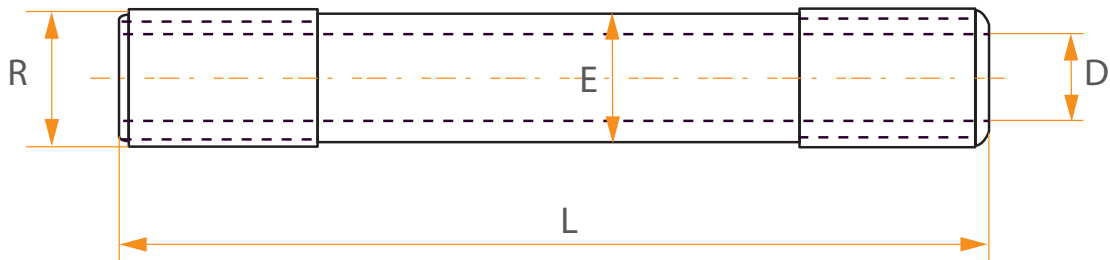
R	S	L
1/8 Gas	5	9
1/4 Gas	6	11
3/8 Gas	8	12
1/2 Gas	10	13
3/4 Gas	14	17
1 Gas	17	19
M.10x1	5	8

TUB

TUBO ROSCADO / WATER PIPE

Material	Hierro
Material	Steel
Forma de pedido	Tubo Roscado / R x L
Order form	Water Pipe / R x L

TUB



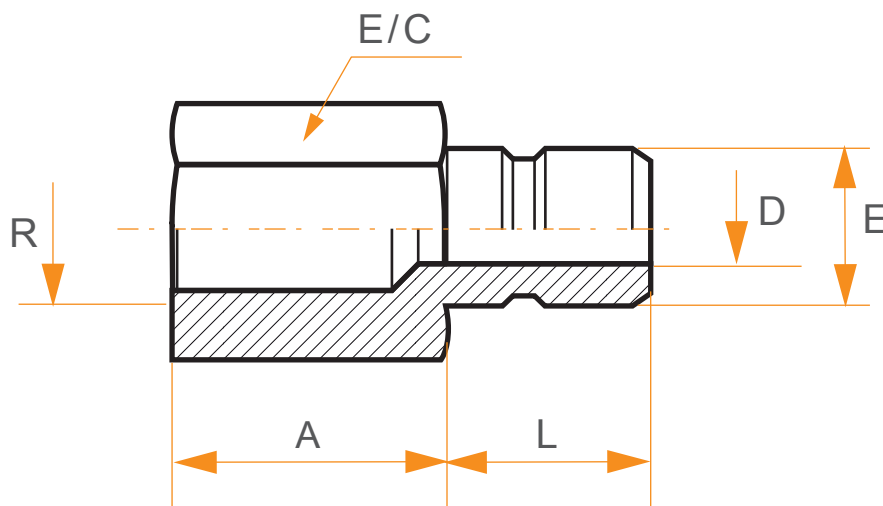
R	L												
	50	75	100	125	150	175	200	225	250	275	300	325	350
1/8 GAS													
1/4 GAS													
3/8 GAS													

ADAPTADOR PARA ENCHUFE RAPIDO ERH QUICK CONNECTION NOZZLE ERH

ERH

Material	Laton
Material	Brass
Forma de pedido	Adaptador enchufe rapido ERH / R
Order form	Quick Connection Nozzle ERH / R

ERH



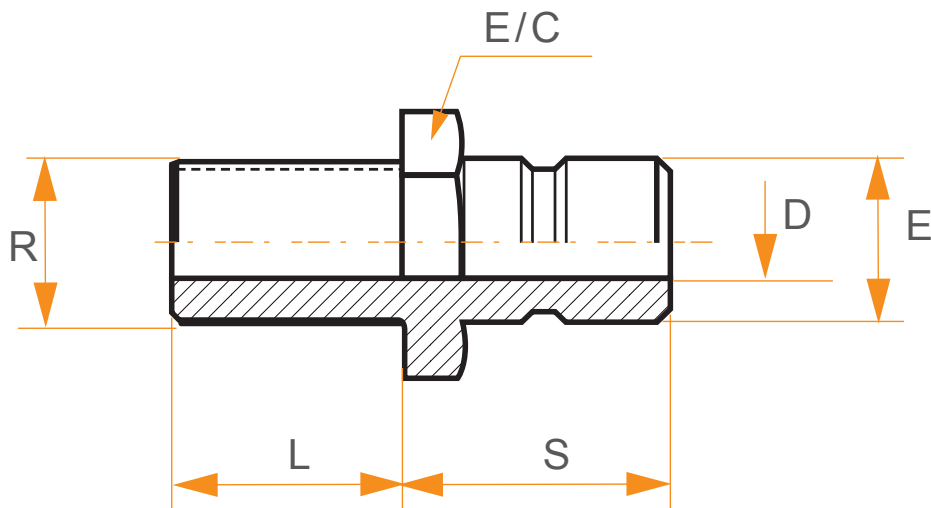
R	D	E	E/C	L	S
6-1/8" Gas	6	9	13	10	15
6-1/4" Gas	6	9	17	10	15
9-1/8" Gas	6	13	17	15	15
9-1/4" Gas	8	13	17	15	15
9-3/8" Gas	8	13	19	15	15

ERM

ADAPTADOR PARA ENCHUFE RAPIDO ERM QUICK CONNECTION NOZZLE ERM

Material	Latón
Material	Brass
Forma de pedido	Adaptador enchufe rapido ERM / R
Order form	Quick Connection Nozzle ERM / R

ERM



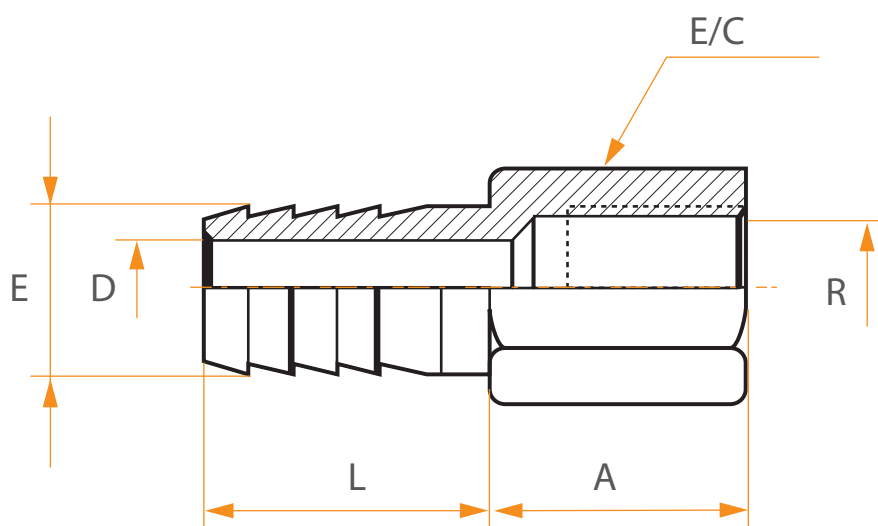
R	D	E	E/C	L	S
6-1/8" Gas	6	9	13	15	10
6-1/4" Gas	6	9	17	15	10
9-1/8" Gas	6	13	17	20	10
9-1/4" Gas	8	13	17	20	10
9-3/8" Gas	8	13	19	20	13

BOQUILLA REFRIGERACION BRH WATER CONNECTOR BRH

BRH

Material	Hierro
Material	Steel
Forma de pedido	Boquilla Macho BRH / R
Order form	Water Connector BRH / R

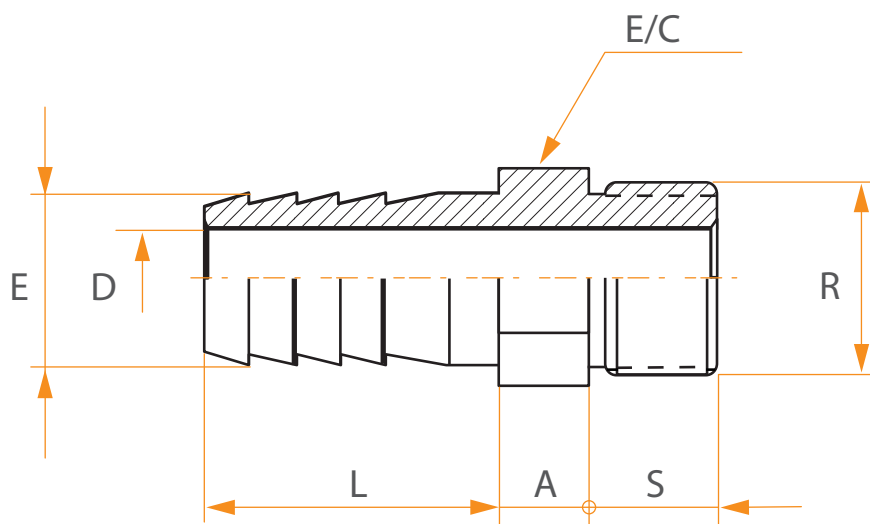
BRH



R	D	E	L	A	E/C
1/8	7	13	27	11	14
1/4	7	13	27	11	16
3/8	8	13	25	20	22

Material	Hierro
Material	Steel
Forma de pedido	Boquilla Macho BRM / R
Order form	Water Connector BRM / R

BRM



R	D	E	L	S	A	E/C
1/8	6	13	27	10	10	14
1/4	7	13	27	12	9	14
3/8	8	13	28	12	10	17