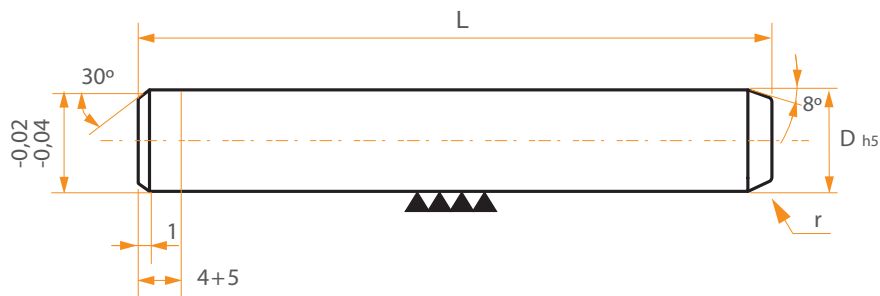


Material	Acero 1.7264
Material	Steel 1.7264
Tratamiento	Cementado (profun. 0,8 mm)
Treatment	Case hardened (depth 0,8 mm)
Dureza	60 - 62 Hrc
Hardness	60 - 62 Hrc
Forma de pedido	Columna Lisa CL / D x L
Order form	Guide pin CL / D x L

CL



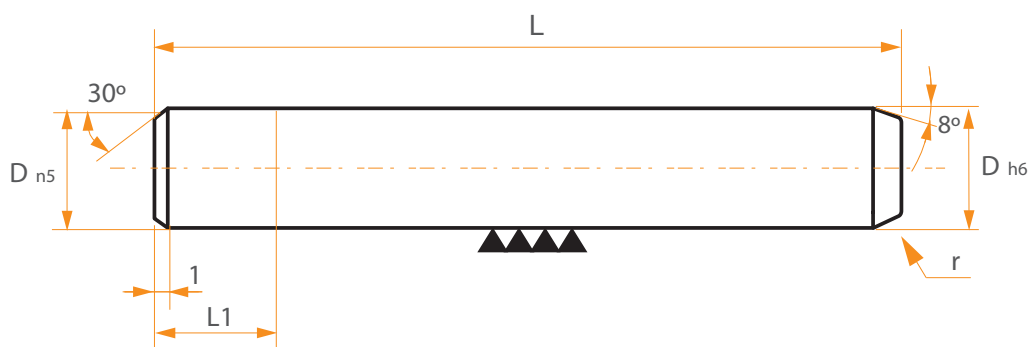
D	r	L													
		110	120	130	140	160	180	200	220	240	260	280	300	320	350
15/16	3,5														
18/19	3,5														
24/25	5														
30/32	5														
40/42	5														
50/52	7														

COLUMNA LISA CON ZONA DE CLAVADO GUIDE PIN

J101

Material	Acero 1.7264
Material	Steel 1.7264
Tratamiento	Cementado (profun. 0,8 mm)
Treatment	Case hardened (depth 0,8 mm)
Dureza caña	60 - 62 Hrc
Shaft hardness	60 - 62 Hrc
Forma de pedido	Columna J101 D x L
Order form	Guide Pin J101 D x L

J101



D	L1	L														
		100	110	120	130	140	160	180	200	220	240	260	280	300	320	350
15 - 16	25															
18 - 19	30															
24 - 25	40															
30 - 32	50															
40 - 42	54															
50 - 52	54															

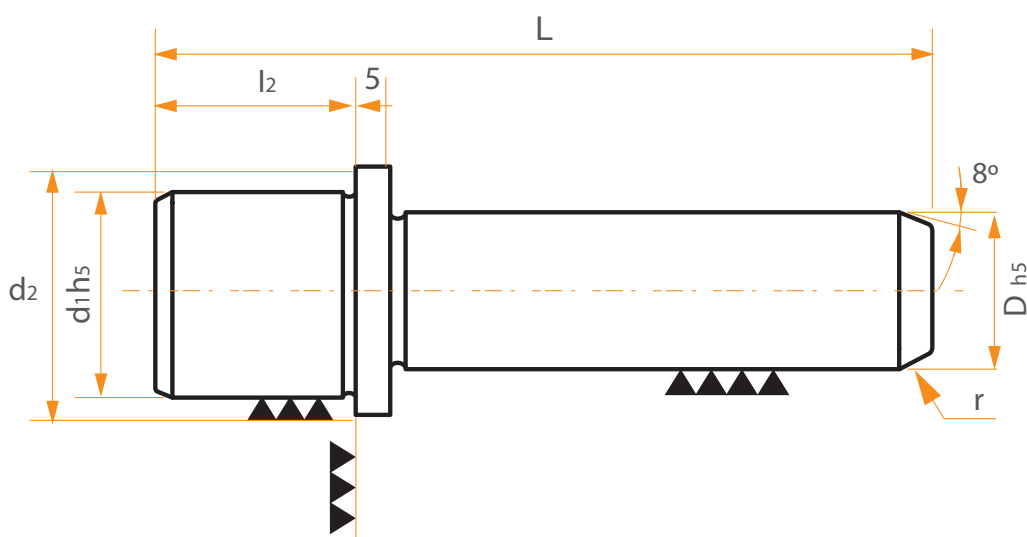
120

J102

COLUMNA DOBLE DIAMETRO J102
DOUBLE DIAMETER GUIDE PIN J102

Material	Acero 1.7264
Material	Steel 1.7264
Tratamiento	Cementado (profun. 0,8 mm)
Treatment	Case hardened (depth 0,8 mm)
Dureza caña	60 - 62 Hrc
Shaft hardness	60 - 62 Hrc
Forma de pedido	Columna Doble diametro J102 / D x L
Order form	Double diameter Guide pin J102 / D x L

J102



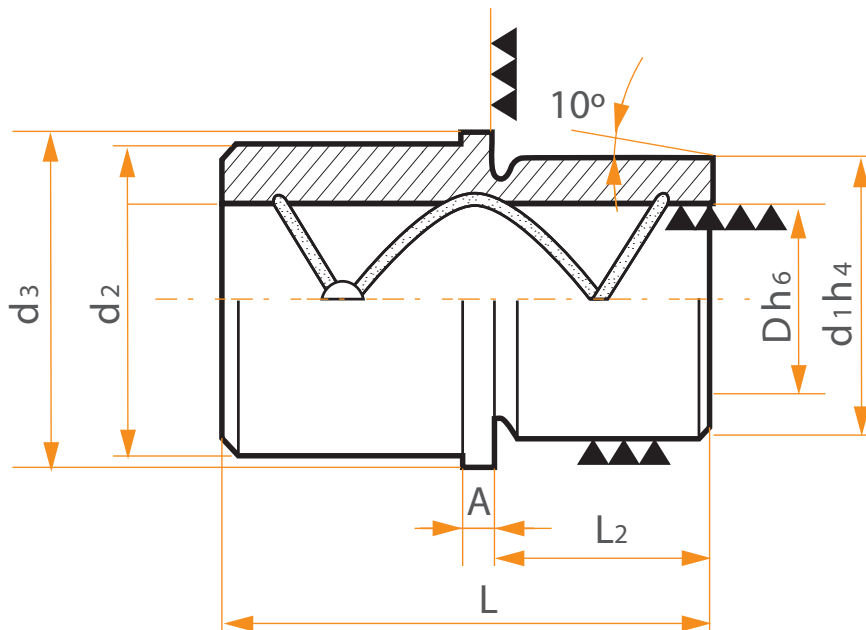
D	d1	d2	l2	L										
				130	140	160	170	180	190	200	212	225	240	
15/16	28	34	25											
18/19	32	40	30											
24/25	40	45	35											
30/32	48	55	40											
40/42	58	70	45											
50/52	68	80	50											

J201

CASQUILLO VALONA J201
PIN BUSHING J201

Material	Acero 1.7264
Material	Steel 1.7264
Tratamiento	Cementado (profun. 0,8 mm)
Treatment	Case hardened (depth 0,8 mm)
Dureza caña	60 - 62 Hrc
Shaft hardness	60 - 62 Hrc
Forma de pedido	Casquillo Valona J201 / D x L
Order form	Pin Bushing J201 / D x L

J201



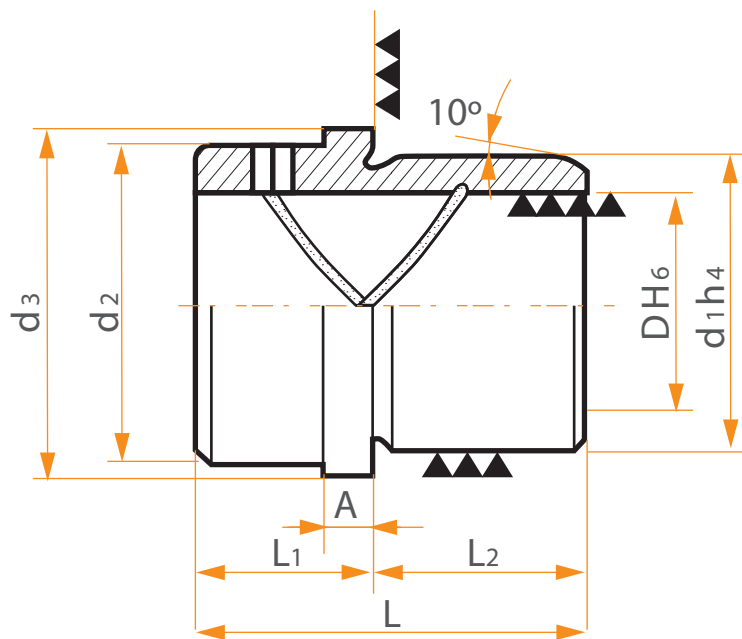
D	d1	d2	d3	L2	A	L							
						50	60	65	75	80	85	100	
15/16	28	30	34	20	5								
18/19	32	34	38	25	5								
24/25	40	43	48	30	5								
30/32	48	53	58	30	5								
40/42	58	66	72	35	5								
50/52	68	77	82	45	5								

CASQUILLO VALONA CORTA J202 PIN BUSHING J202

J202

Material	Acero 1.7264
Material	Steel 1.7264
Tratamiento	Cementado (profun. 0,8 mm)
Treatment	Case hardened (depth 0,8 mm)
Dureza caña	60 - 62 Hrc
Shaft hardness	60 - 62 Hrc
Forma de pedido	Casquillo Valona J202 / D x L
Order form	Pin Bushing J202 / D x L

J202



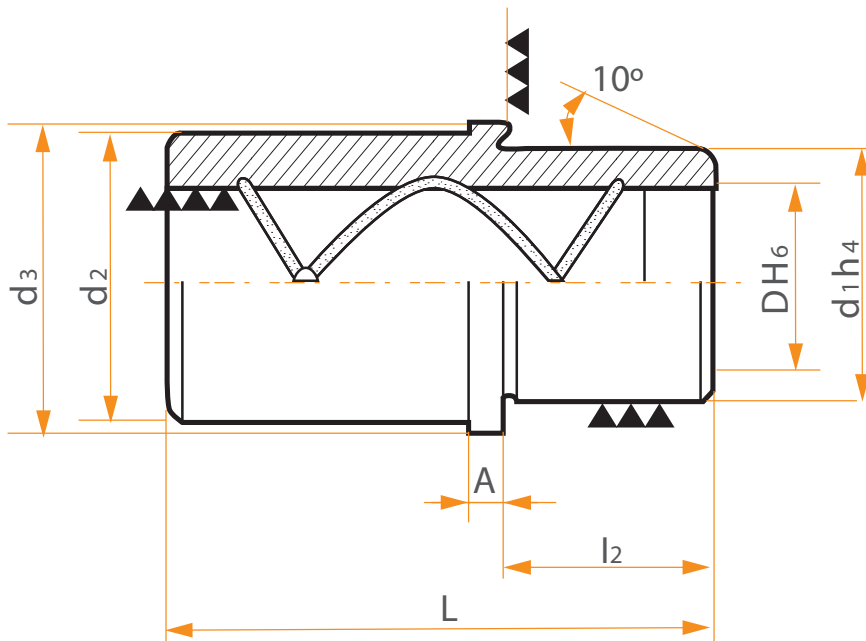
D	d1	d2	d3	L1	L2	A	L					
							31	33	40	45	48	57
15/16	28	30	34	16	15	5						
18/19	32	34	38	26	17	5						
24/25	40	43	48	18	22	5						
30/32	48	53	58	18	27	5						
40/42	58	66	72	18	30	5						
50/52	68	77	82	22	35	5						

J203

CASQUILLO VALONA LARGA J203
PIN BUSHING J203

Material	Acero 1.7264
Material	Steel 1.7264
Tratamiento	Cementado (profun. 0,8 mm)
Treatment	Case hardened (depth 0,8 mm)
Dureza caña	60 - 62 Hrc
Shaft hardness	60 - 62 Hrc
Forma de pedido	Casquillo Valona J203/ D x L
Order form	Pin Bushing J203 / D x L

J203



D	d1	d2	d3	L2	A	L							
						105	110	115	125	130	135	145	
18/19	32	34	38	25	5								
24/25	40	43	48	30	5								
30/32	48	53	58	30	5								
40/42	58	66	72	35	5								
50/52	68	77	82	45	5								

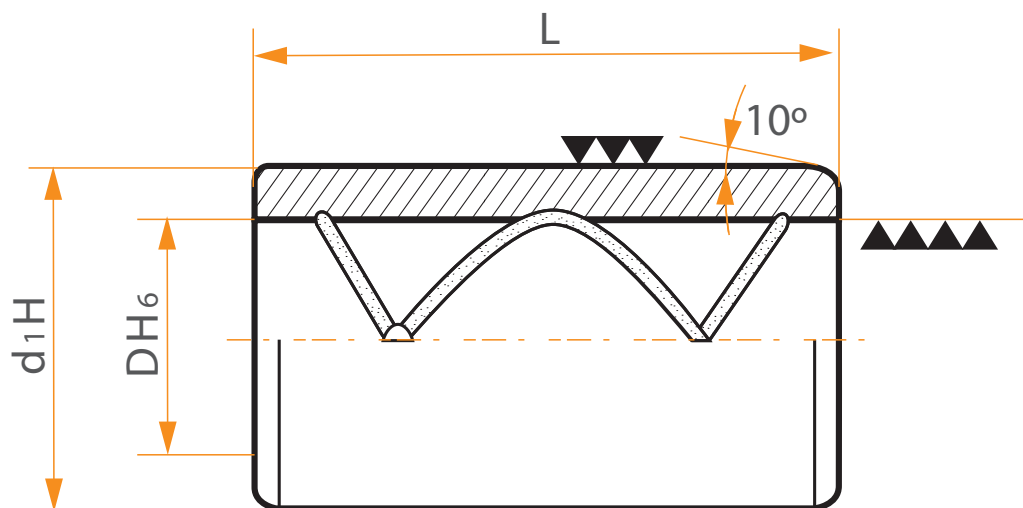
125

CASQUILLO LISO J204 PIN BUSHING J204

J204

Material	Acero 1.7264
Material	Steel 1.7264
Tratamiento	Cementado (profun. 0,8 mm)
Treatment	Case hardened (depth 0,8 mm)
Dureza caña	60 - 62 Hrc
Shaft hardness	60 - 62 Hrc
Forma de pedido	Casquillo Liso J204 / D x L
Order form	Pin Bushing J204 / D x L

J204



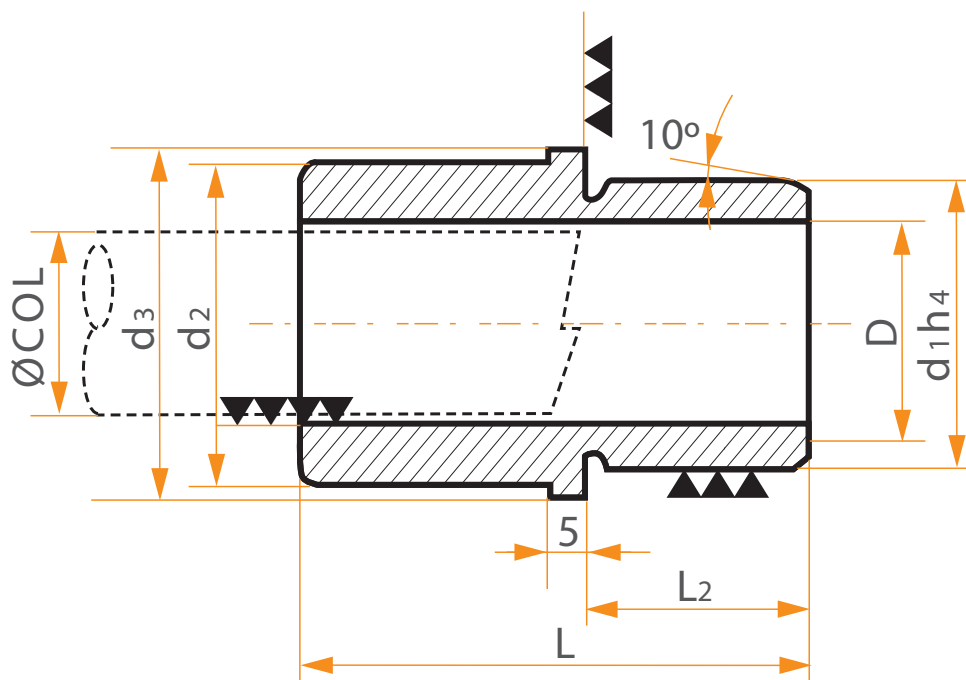
D	d1	L								
		35	55	60	65	70	75	80	85	95
15/16	28									
18/19	32									
24/25	40									
30/32	48									
40/42	58									
50/52	68									

J211

CASQUILLO VALONA PARA
JAULA DE BOLAS J211
BALL CAGE BUSHING J211

Material	Acero 1.7264
Material	Steel 1.7264
Tratamiento	Cementado (profun. 0,8 mm)
Treatment	Case hardened (depth 0,8 mm)
Dureza caña	60 - 62 Hrc
Shaft hardness	60 - 62 Hrc
Forma de pedido	Casquillo para jaula de bolas J211 / D x L
Order form	Ball Cage Bushing J211 / D x L

J211



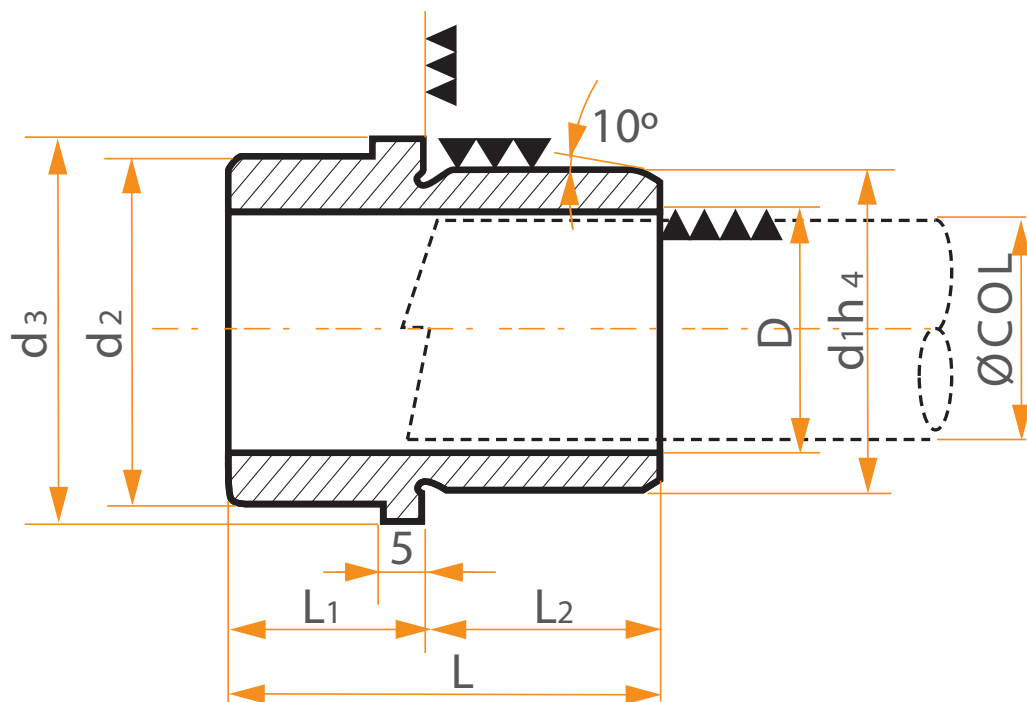
D	d1	d2	d3	L2	Col	L							
						50	60	65	75	80	85	100	
21/22	28	30	34	20	15/16								
24/25	32	34	38	25	18/19								
30/31	40	43	48	30	24/25								
38/40	48	53	58	30	30/32								
48/50	58	66	72	35	40/42								
58/60	68	77	82	45	50/52								

**CASQUILLO VALONA CORTA PARA
JAULA DE BOLAS J212
BALL CAGE BUSHING J212**

J212

Material	Acero 1.7264
Material	Steel 1.7264
Tratamiento	Cementado (profun. 0,8 mm)
Treatment	Case hardened (depth 0,8 mm)
Dureza caña	60 - 62 Hrc
Shaft hardness	60 - 62 Hrc
Forma de pedido	Casquillo para jaula de bolas J212 / D x L
Order form	Ball Cage Bushing J212 / D x L

J212



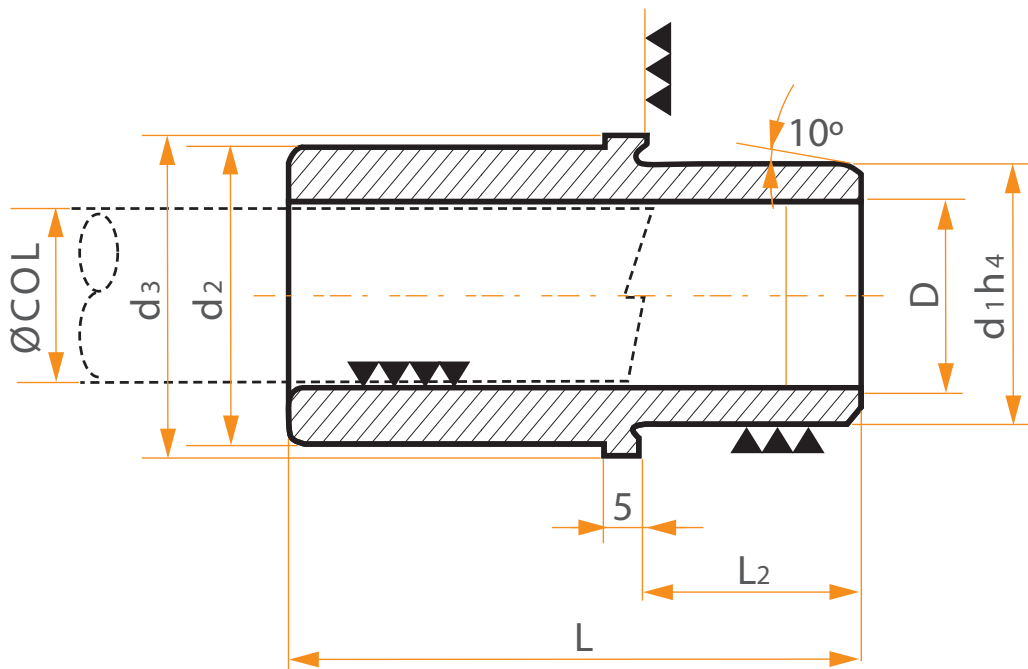
D	d1	d2	d3	L1	L2	Col	L						
							31	33	40	45	48	57	
21/22	28	30	34	16	15	15-16							
24/25	32	34	38	16	17	18-19							
30/31	40	43	48	18	22	24-25							
38/40	48	53	58	18	27	30-32							
48/50	58	66	72	18	30	40-42							
58/60	68	77	82	22	35	50-52							

J213

CASQUILLO VALONA LARGA
PARA JAULA DE BOLAS J213
BALL CAGE BUSHING J213

Material	Acero 1.7264
Material	Steel 1.7264
Tratamiento	Cementado (profun. 0,8 mm)
Treatment	Case hardened (depth 0,8 mm)
Dureza caña	60 - 62 Hrc
Shaft hardness	60 - 62 Hrc
Forma de pedido	Casquillo para jaula de bolas J213 / D x L
Order form	Ball Cage Bushing J213 / D x L

J213



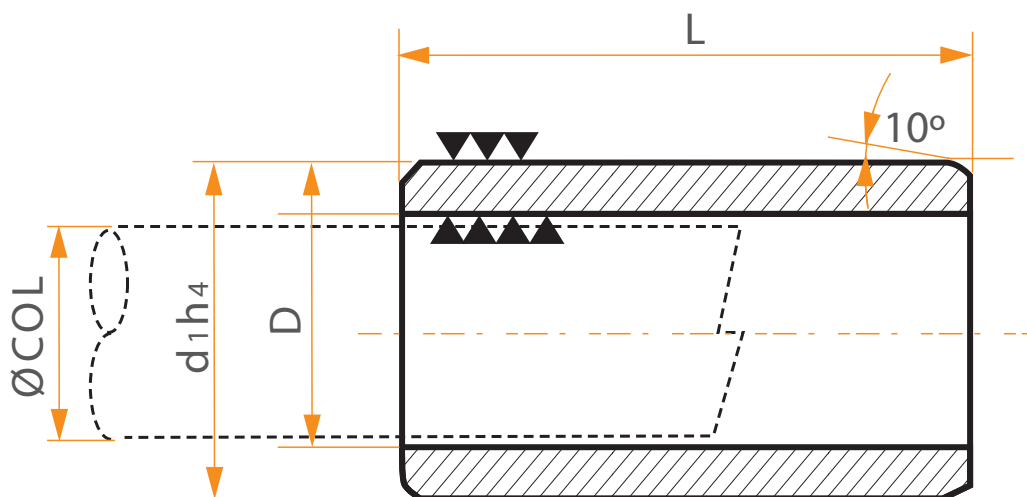
D	d1	d2	d3	L2	Col	L							
						105	110	115	125	130	135	145	
24/25	32	34	38	25	18/19								
30/31	40	43	48	30	24/25								
38/40	48	53	58	30	30/32								
48/50	58	66	72	35	40/42								
58/60	68	77	82	45	50/52								

**CASQUILLO LISO PARA JAULA
DE BOLAS J214
BALL CAGE BUSHING J214**

J214

Material	Acero 1.7264
Material	Steel 1.7264
Tratamiento	Cementado (profun. 0,8 mm)
Treatment	Case hardened (depth 0,8 mm)
Dureza caña	60 - 62 Hrc
Shaft hardness	60 - 62 Hrc
Forma de pedido	Casquillo Liso para Jaula de Bolas J214 / D x L
Order form	Ball Cage Bushing J214 / D x L

J214



D	d1	Col	L								
			35	55	60	65	70	75	80	85	95
21/22	28	15-16	■		■						
24/25	32	18-19		■		■					
30/31	40	24-25			■		■				
38/40	48	30-32			■			■			
48/50	58	40-42					■		■		
58/60	68	50-52							■		■